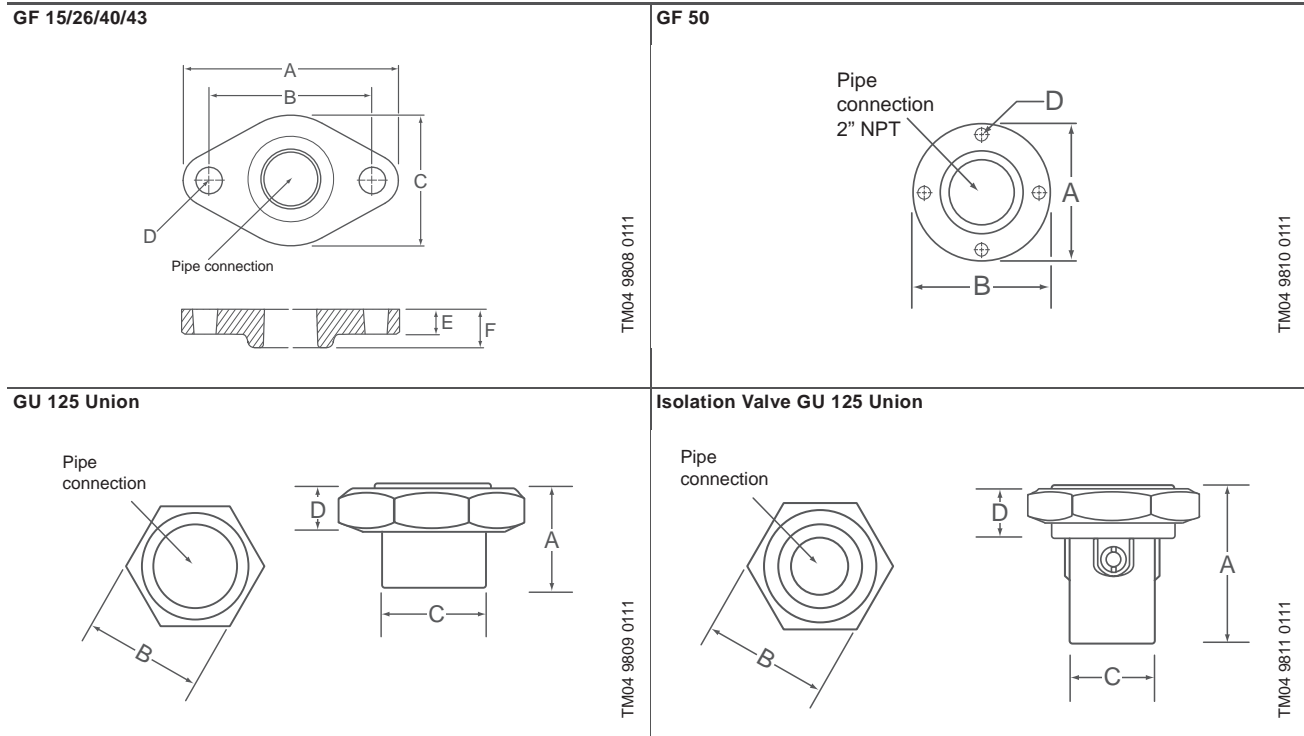


Packaged fitting sets



Material	Pump Connection	Pipe Connection			Material Number	Dimensions (in. / mm)					
		NPT	Solder	Compression		A	B	C	D	E	F
Cast Iron	GF15/26	3/4"			519601						
		1"			519602	4-1/4 / 106	3-1/8 / 80	2-3/4 / 67	1/2 / 13	1/2 / 13	3/4 / 20
		1-1/4"			519603						
		1-1/2"			519604						
		1-1/2"			539605	4-3/4 / 120	3-1/2 / 87	3 / 74	1/2 / 13	1/2 / 13	3/4 / 20
Bronze	GF50 (4-bolt flange)	2"			96409354	5-1/4 / 133	4 / 103	-	1/2 / 14	1/2 / 13	3/4 / 20
		3/4"			519651						
		1"			519652	4-1/4 / 106	3-1/8 / 80	2-3/4 / 67	1/2 / 13	1/2 / 13	3/4 / 20
		1-1/4"			96409356						
		1-1/2"			539615	4-3/4 / 120	3-1/2 / 87	3 / 74	1/2 / 13	1/2 / 13	3/4 / 20
Isolation Valves	GU 125 Union	3/4"			529912	1 / 25	1-7/8 / 46	1-1/4 / 31	5/8 / 16	-	-
		1/2"	1/2"		529913	3/4 / 20	1-7/8 / 46	3/4 / 20	5/8 / 16	-	-
		3/4"	3/4"		529911	3/4 / 20	1-7/8 / 46	1 / 26	5/8 / 16	-	-
		1/2"			519850	2-1/4 / 57	1-7/8 / 46	1 / 25	5/8 / 16	-	-
		3/4"			519852	2-1/4 / 57	1-7/8 / 46	1-1/4 / 31	5/8 / 16	-	-
Bronze	GU 125 Union		3/4"	519851	2 / 51	1-7/8 / 46	1-1/4 / 31	5/8 / 16	-	-	

Notes:
 GF15/26/40/43 Flange sets to include two flanges, two gaskets, and four nuts and bolts.
 GF50 Flange sets to include two flanges, two gaskets, and eight nuts and bolts.
 GU 125 Union Union set to include two nuts, gaskets, and adapters.
 Dimensions are in inches unless otherwise noted.

Approvals (Bronze sets)

IAPMO - #6591